

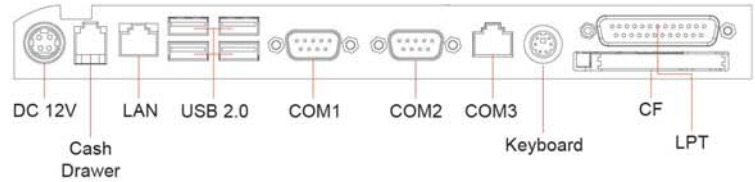


# POS 主機



- 採用Intel 全新上市Pineview處理器 D410 / D510 1.66GHz
- 最新科技15" 投射式電容(PCT)觸控螢幕
- 支援多點觸控功能,與iPhone同等介面,直覺式操作易上手
- 業界獨創無接縫全平面式設計,工作平台操作易清潔,不卡塵
- 搭載微軟(Microsoft)最新作業系統 Windows 7
- 使用強固鋁製外殼,提供高效能散熱,操作更順暢
- 彈性結構設計多方擴充相關周邊設備,例如:印表機,條碼機,指紋辨識器,磁條讀卡機
- 流線型外觀設計與多彩外殼,符合高級餐廳與零售商店使用需求

## I/O 孔位



## 主要特點



全平面無接縫螢幕,通過IP 66防水測試



最新投射式電容 (PCT) 觸控技術  
支援多點觸控功能



支援 100 x 100 壁掛方式



硬碟遠離主機板熱源,操作順暢  
特殊硬碟保護設計,資料安全不遺失



彈性結構設計  
可支援各式周邊與懸掛方式



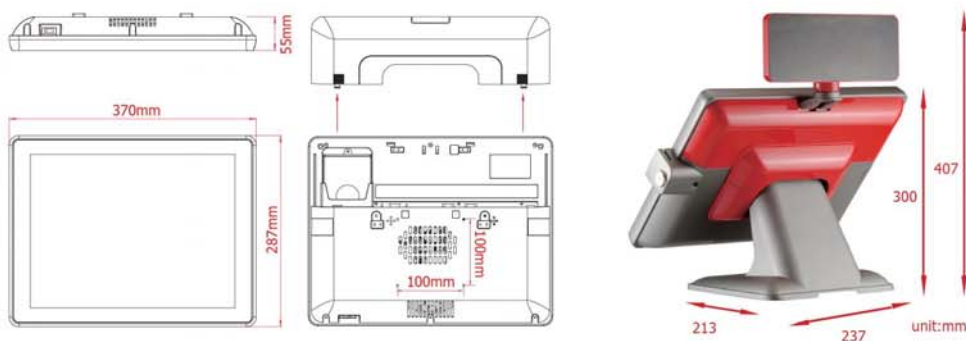
客製多彩設計外殼  
符合商店一致形象

## 產品詳細規格

Main Board	CPU	Intel® Pineview D410 (Single Core) 1.66GHz with L2 Cache 512KB Intel® Pineview D510 (Dual Core) 1.66GHz with L2 Cache 1MB	
	Chipset	Intel® Pineview + ICH8M	
	System Memory	1 x SO-DIMM DDRII 667, up to 2GB	
Display	TFT LCD	38.1cm (15")	
	Brightness	250nits	
	Resolution	1024 x 768	
	Touch Screen	True Flat Projected Capacitive Technology / True Flat 5-Wire Resistive	
Storage	HDD Type	1 x SATA 6.4cm (2.5")HDD	
	Compact Flash Type	1 x Slot Type II	
I/O Ports -External	DC Input	1 x Mini Din 4P (DC 12V only)	
	Cash Drawer	1 x RJ-11 (Power Pin 12V)	
	Network (LAN)	1 x Gigabit Ethernet by RJ-45	
	USB Port	4 x USB 2.0	
	Serial Port		4 x RS-232 COM1/2 : DB-9, RS-232, Pin9 w/RI/5V/12V Selectable by BIOS
			COM3 : RJ-48 for VFD, RS-232, Pin10 w/RI/5V/12V Selectable by BIOS
			COM4 : DB-9, RS-232, Pin9 w/RI/5V/12V Selectable by BIOS (optional)
	PS/2 Port	1 x PS/2 connector for Keyboard	
LPT Port	1 x DB-25 Printer Port		
VGA Port	1 x DB-15 VGA Port (optional)		
I/O Ports -Internal	Card Reader & iButton	COM5 : Internal Pin header for Card Reader & iButton	
	Audio	AC 97 2.0 compliant, 2W Speaker x 2	
	Bus Expansion	1 x Mini-PCI-E Slot	
Compliance		IP 66 (Front Panel)	
System Management		Desktop Management Interface (DMI)	
		Preboot Execution Environment (PXE)	
		Wake on LAN (WoL)	
		Advanced Configuration and Power Interface (ACPI)	
OS Support		Windows 7, Windows POSReady 2009, WEPOS, Windows XP Pro for Embedded, Fedora(Linux)	
Power Supply		External adapter, DC Model:80 Watts, Voltage:+12VDC 6.6 max	
Material		Main Unit: Die-casting aluminum ; I/O Cover:Plastic	
Color		Main Unit: Gray *Customized color for plastic parts	
Certifications		CE, FCC, Class-A, RoHS, WEEE	
Dimension( W x H x D )		370 x 287 x 55mm	
Weight		4.5 Kg	
VESA Mounting		100 x 100mm	
Operating Temperature		0°C ~ 40°C, 10% ~ 90% RH, non-condensing	
Storage Temperature		-20°C ~ 60°C, 10% ~ 90% RH, non-condensing	

\*The right has reserved to change the specification without prior notice.

### Dimensions



### 聯絡資訊



06-6595790

傳勝科技

www.dwin.com.tw